

Revision Notes.

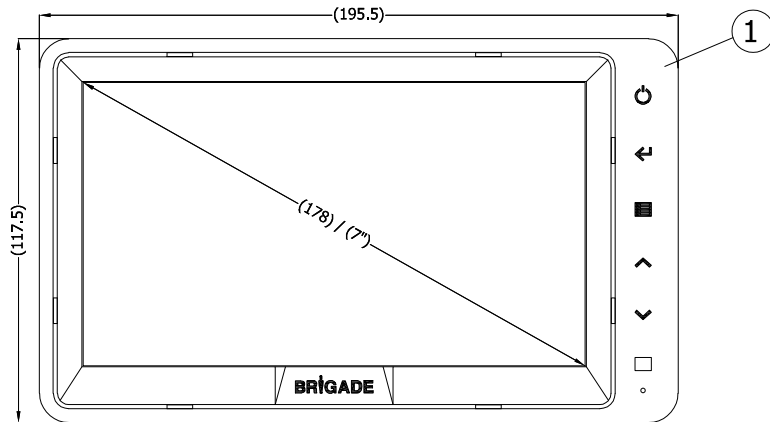
APA: Drawn: Checked: Approved: Date:

CHANGES FROM BASE PRODUCT VBV-770M (4288A) TO VBV-770M(DC) (5949)

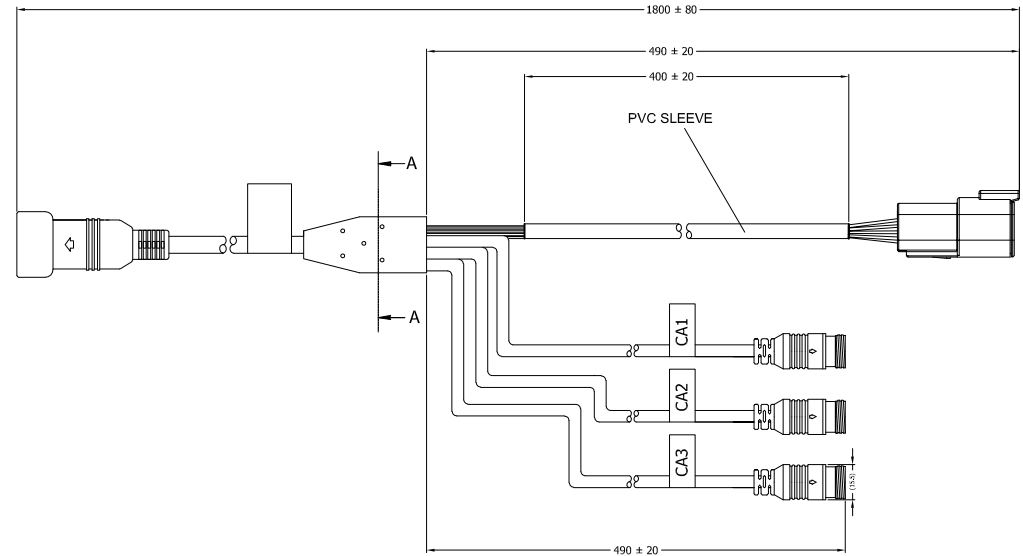
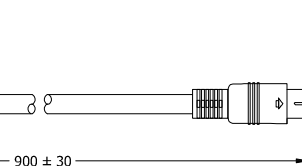
- CHANGE: 1. VBV-7X0M-CA (3176B) REPLACED BY VBV-7X0M-CA(DC) (5918)
 2. VBV-770M GIFTBOX LABEL REPLACED BY VBV-770M(DC) GIFTBOX LABEL

OPERATION: OPERATION AS BASE PRODUCT

ITEM	PART NO.	QTY	MODEL / DESCRIPTION
①	(4368A)	1	VBV-770M-M MONITOR
②	(5918)	1	VBV-7X0M-CA(DC) CABLE ADAPTER
③	(4523)	1	VBV-770M-SS SUNSHIELD (NOT SHOWN)
④	(3148A)	1	BMM-015 VBV MONITOR BRACKET (SHORT) (NOT SHOWN)
⑤	(4370B)	1	VBV-770M-IG INSTALLATION GUIDE (NOT SHOWN)



TO CABLE ENTRY ON REAR OF MONITOR.



NOTES:

1. REFER TO COMPONENT DRAWINGS FOR COMPONENT DETAIL.
 2. FOR PRODUCT LABEL AND PACKAGING DETAILS REFER TO MASTER BOM.

PROPRIETARY NOTICE

THIS DESIGN AND TECHNICAL INFORMATION APPEARING ON THIS DRAWING IS THE PROPERTY OF BRIGADE ELECTRONICS, AND IS DISCLOSED IN CONFIDENCE. IT IS NOT TO BE COPIED, REPRODUCED, REVEALED TO OR EXPROPRIATED BY OTHERS, EITHER IN WHOLE OR IN PART WITHOUT THE EXPRESS WRITTEN CONSENT OF BRIGADE ELECTRONICS.

Customer Approval
T.SEIS - 30/10/19

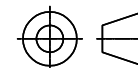
Assembly Pl Approval
J.LAM - 31/10/19

Approved by
D.WALLIN

Checked by
A.FOSTER

Drawn by
W.SINDEN

Angle of Projection



Third Angle

Units
mm

Scale
N/A

Status
RELEASED

Part No
5949

Released
31/10/19

Assembly Ref
-

VBV-770M(DC)

BE-004238-00-19